

QUENCHOR - FIXED MONITOR

Quenchor Fixed Monitor provide a versatile firefighting capability for many industrial and petrochemical scenarios such as: Process plant storage tank farms, loading bays, marine wharves and jetties, offshore platforms and helidecks etc.



PRODUCT DETAILS

The Knowsley Quenchor is of robust design, manufactured from corrosion resistant materials and can be locked in position enabling unattended operation and reduced risk to the fire fighter.

We know fire. We know safety. We know you.

Established in 1896, Knowsley SK Ltd. has an enviable reputation for manufacturing quality firefighting equipment and systems for high value asset protection that can be relied upon when danger strikes.

Knowsley SK Ltd
Centrepoint
Marshall Stevens Way
Trafford Park
Manchester M17 1AE | UK
t +44 (0)161 872 7511
f +44 (0)161 848 8508

sales@knowsleysk.co.uk
spares@knowsleysk.co.uk

www.knowsleysk.com

Registered in England No. 1789152
VAT No.: 383475131

KEY FEATURES

- Single waterway
- Undivided water stream
- Low pressure loss
- Easy operation
- Lockable in horizontal and vertical position
- Unattended operation
- Robust construction
- Corrosion resistant materials
- Rotation - full 360 degrees
- Elevation - +90 degrees
- Depression - -45 degrees
- Design Pressure: 16 barg.

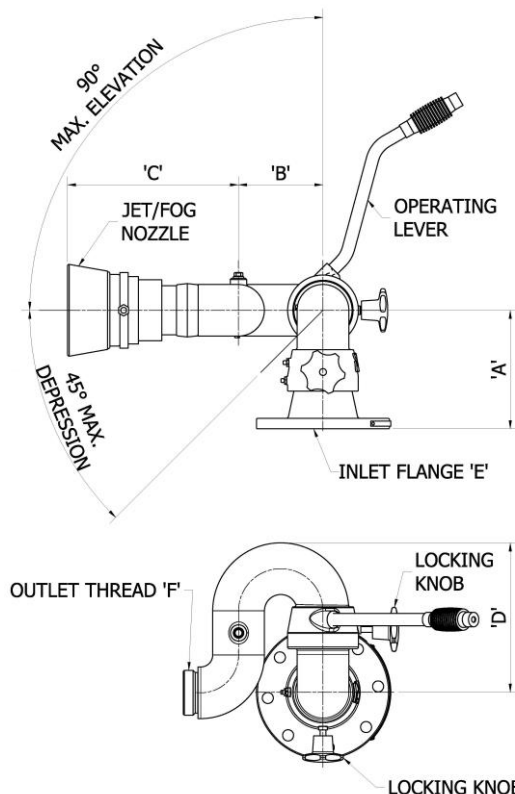


Figure 1 Quenchor

OVERALL DIMENSIONS

Overall dimensions are shown in Table 1. See Figure 1. for corresponding annotations.

Table 1 Overall Dimensions

| MODEL No. | SIZE (NB) | A | B | C | D | E | F | WEIGHT Kg. |
|-----------|-----------|-----|-----|------|-----|---------------------|----------|------------|
| 5148 | 3" | 204 | 145 | 294* | 257 | 3" OR 4" ANSI 150FF | 2½" NSTM | 23 |

* Dimension 'C' may vary depending on the type of nozzle used.

PRODUCT DETAILS

The Knowsley Quenchor provides an undivided stream of water with minimum flow restriction over a wide operating pressure range. This ensures impressive performance with high flow rates and low trajectories. The monitor comprises essentially an inlet stand with lower and upper bend assemblies, and a threaded outlet enabling a variety of discharge nozzles to be utilised. Swivel joints have twin bearing races to ensure smooth operation, and a quad ring and an O-ring seals to prevent leaks. The flanged inlet enables locating the monitor on pipe-stands, hydrants, fire trucks, fire mains or towers.

ACCESSORIES OVERVIEW

The Knowsley Quenchor can be fitted with a variety of discharge nozzles to suit different applications. These include Jet/Fog nozzles, Foam Branchpipes, self-inducing foam nozzles and constant flow nozzles. Our highly experienced engineers will select a nozzle for your application.



Figure 2 Typical Nozzle

PRODUCT MATERIALS

The Quenchor is manufactured from the following corrosion resistant materials:

Inlet Stand: Gunmetal CC491K-GS

Upper and Lower Bend: Gunmetal CC492K-GS

Operating Lever: Stainless Steel (with rubber hand grip)

Ball bearings: Stainless Steel 316

O Rings: Nitrile 70 Shore

Grease Nipple: Stainless Steel

STANDARD PAINTING CYCLE

Two coat enamel finish for aesthetic purpose and colour identification Red to BS4800 04-E-53 (Other colours available)

Total 70 Microns DFT (min)

SPARES INFORMATION

Please contact our dedicated spares department for components listed below (see Figure 3 for corresponding data):

spares@knowsleysk.com

1. Quad Ring
2. Ball Bearing
3. O-Ring

PERFORMANCE DATA

Quenchor Performance data is shown in Table 2 and Table 3.

Table 2 Performance Data

| Model No. | Part No. | Inlet Size | Elevation | Depression | Rotation |
|-----------|----------|------------|------------|-------------|-------------|
| 5148 | 5148-X-1 | 3" | 90 Degrees | -45 Degrees | 360 Degrees |
| 5148 | 5148-X-2 | 4" | 90 Degrees | -45 Degrees | 360 Degrees |

Table 3 Pressure Loss 3" Quenchor

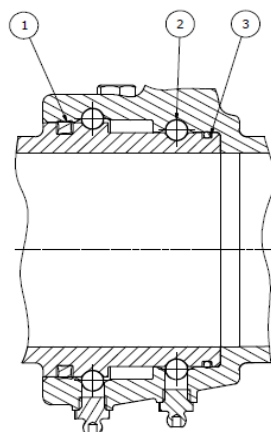
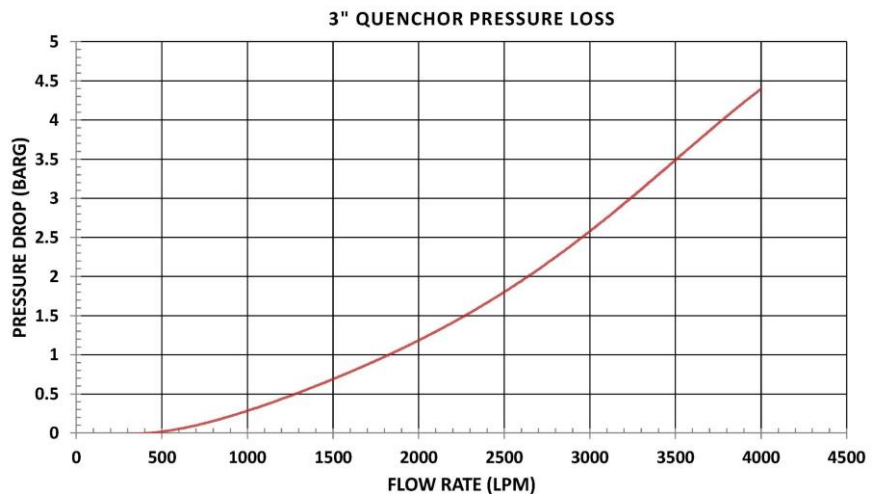


Figure 3 Section showing details of bearings

